

# Bobcat® S70 Skid-Steer Loader

## Specifications

### Performance

Rated Operating Capacity	700 lb. (318 kg) <sup>1</sup>
Tipping Load	1512 lb. (686kg)
Hydraulic Pump Capacity	9.8 gpm (37.8 L/min.)
Travel Speed	6.1 mph (9.8 km/hr.)
Operating Weight	2795 lb. (1268 kg)

### Dimensions

Length (with bucket)	97.3 in. (2472 mm)
Width (with bucket)	36.0 in. (914 mm)
Height	71.4 in. (1814 mm)
Height to Bucket Pin	94.5 in. (2399 mm)

### Engine

Model	D1005-E
Fuel/Cooling	Diesel/Liquid
Cylinders	3
SAE HP/Displacement	23.5/61.1 cu. in. (1.0 L)
Fuel Tank Capacity	6.5 gal. (24.6 L)

### Operation

Steering and Drive	Forward, reverse, travel speed and steering controlled by two hand levers.
Hydraulics	Raise/lower lift arms and dump/rollback bucket controlled by two foot pedals.
Transmission	Hydrostatic, four-wheel drive.

### Standard Features

5.70-12 Standard Tires	Lift Arm Support
Backup Alarm	Meters/Gauges/
Bob-Tach™	Warning Lights
Bobcat Interlock Control System (BICS™)	Operator Cab
Front & Rear Lights	Parking Brake
Front Auxiliary Hydraulics	Rear Window
High Back Cushion Seat	Seat Bar
Horn	Seat Belt
	Spark Arresting System

### Options/Accessories

Attachment Control Kit	Skid-Steer Loader Training Kit
Bobcat Heavy-Duty Tires	Sound Cab (reduces noise)
Cab Enclosure	Special Applications Kit <sup>3</sup>
Cab Heater	Strobe/Rotating Beacon Lights
Catalytic Purifier	Suspension Seat
Hydraulic Bucket Positioning <sup>2</sup>	Top Window
Keyless Start Kit	Turf Tires
Service Safety Training Course	
Side Windows Kit	
Single-Point Lift Kit	

## Bobcat S70... the loader for tough jobs in tight spots.

The compact Bobcat S70 skid-steer loader is small enough to get in the tight spots, yet tough enough to get you out.

This agile little workhorse is only 6 feet tall and 3 feet wide — the ideal size for scooting through narrow doorways, corridors, aisles, alleys and gates, and for working under low ceilings.

It's the perfect loader whenever the job is too big for a shovel or the space is too small for a larger machine — in backyards, barns, construction sites and demolition areas.

And versatile? You bet. With more than 20 Bobcat attachments to choose from, the S70 is a multi-attachment carrier that's ready to take on just about any job.

Plus — you get to do your work in the comfort and safety of the S70's operator-friendly, FOPS/ROPS-approved cab (Falling Object Protective Structure and Roll-Over Protective Structure). You'll also appreciate the comfortable high-back seat, low noise and easy entry and exit.

The S70 gives you 700 pounds of rated operating capacity and a rugged 23.5 horsepower liquid-cooled diesel engine that powers the hydrostatic 4-wheel drive.

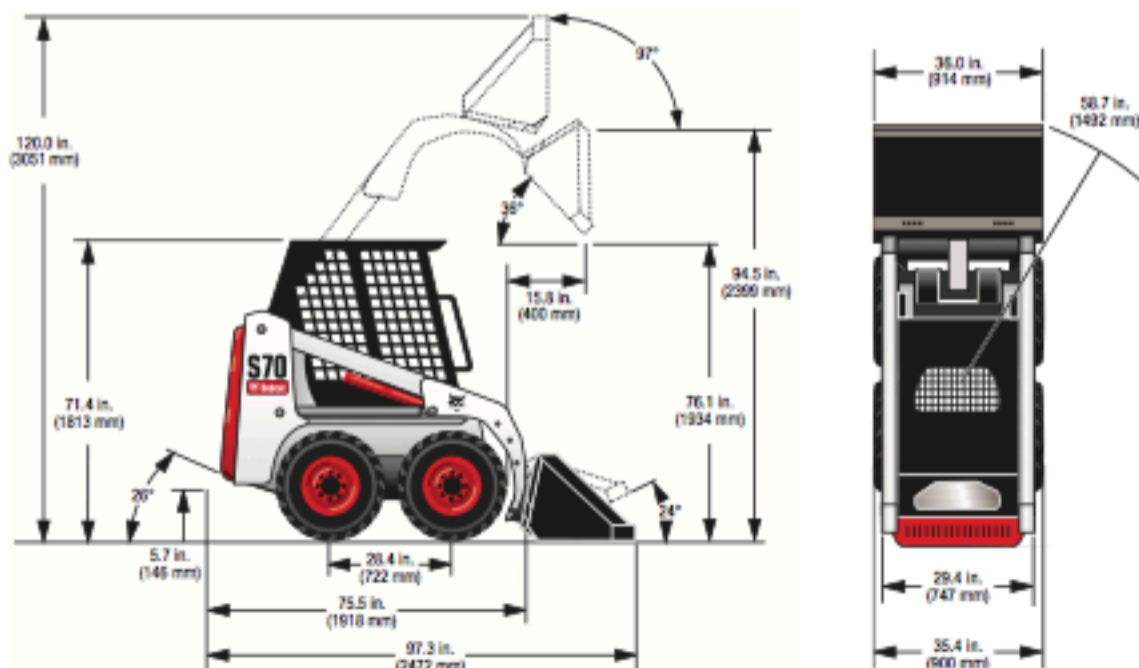
Like all Bobcat loaders, the S70 allows quick, easy access to hydrostatic, hydraulic and engine systems, thanks to the swing-out tailgate and tip-up cab.

All this, and an excellent warranty, too. Check out the compact S70 skid-steer loader at your Bobcat dealer's showroom. It's the loader that's small in size, small in price, but big in value, comfort, performance and versatility!

**700 LB.**  
Rated Operating Capacity

**9.8 GPM**  
Hydraulic Flow

**23.5 HP**  
Liquid-Cooled Diesel Engine



NOTE — Where applicable, dimensions are in accordance with Society of Automotive Engineers (SAE) and ISO standards. Specifications and design are subject to change without notice. Pictures of Bobcat loaders may show other than standard equipment. All dimensions are given for loader equipped with standard tires. All dimensions are shown in inches. Respective metric dimensions are enclosed by parentheses. Bobcat Company complies with the requirements of ISO 9001 as registered with BSI.

<sup>1</sup>Operating capacity rated with standard digging bucket according to SAE standard J818. OPERATING CAPACITY TO EQUAL NO MORE THAN ONE HALF THE TIPPING LOAD.

<sup>2</sup>Bucket positioning helps operator keep the same tilt of the load during lifting.

<sup>3</sup>Includes polycarbonate front door, top and rear windows.

<sup>4</sup>Special application kit (see #3) must be used.

A - 5.70 x 12 Tires - 35.4 in. (900 mm)  
23 x 8.50 - 12 Tires - 43.3 in. (1100 mm)

B - 5.70 x 12 Tires - 29.4 in. (747 mm)  
23 x 8.50 - 12 Tires - 34.8 in. (884 mm)

C - 36 in. Bucket Width - 36.0 in. (914 mm)  
44 in. Bucket Width - 44 in. (1118 mm)

**Bobcat Company**  
P.O. Box 6000 • West Fargo, ND 58078  
[www.bobcat.com](http://www.bobcat.com)



**Bobcat®**

### Bobcat Attachments for this model:

- Angle Broom
- Auger
- Backhoe
- Boring Unit
- Breaker<sup>4</sup>
- Bucket
- Combination Bucket
- Digger
- Dumping Hopper
- Grapple, Industrial
- Grapple, Root
- Grapple, Utility (for use with utility fork or bucket)
- Landplane
- Mini Scraper
- Pallet Fork
- Scraper
- Snowblower<sup>\*</sup>
- Snow Blade
- Snow V-Blade<sup>\*</sup>
- Soil Conditioner
- Stump Grinder
- Sweeper
- Tiller
- Tree Fork
- Trencher
- Utility Blade
- Utility Fork
- Utility Frame
- V-Blade
- Vibratory Plow

<sup>\*</sup>Attachment Control Kit required.