

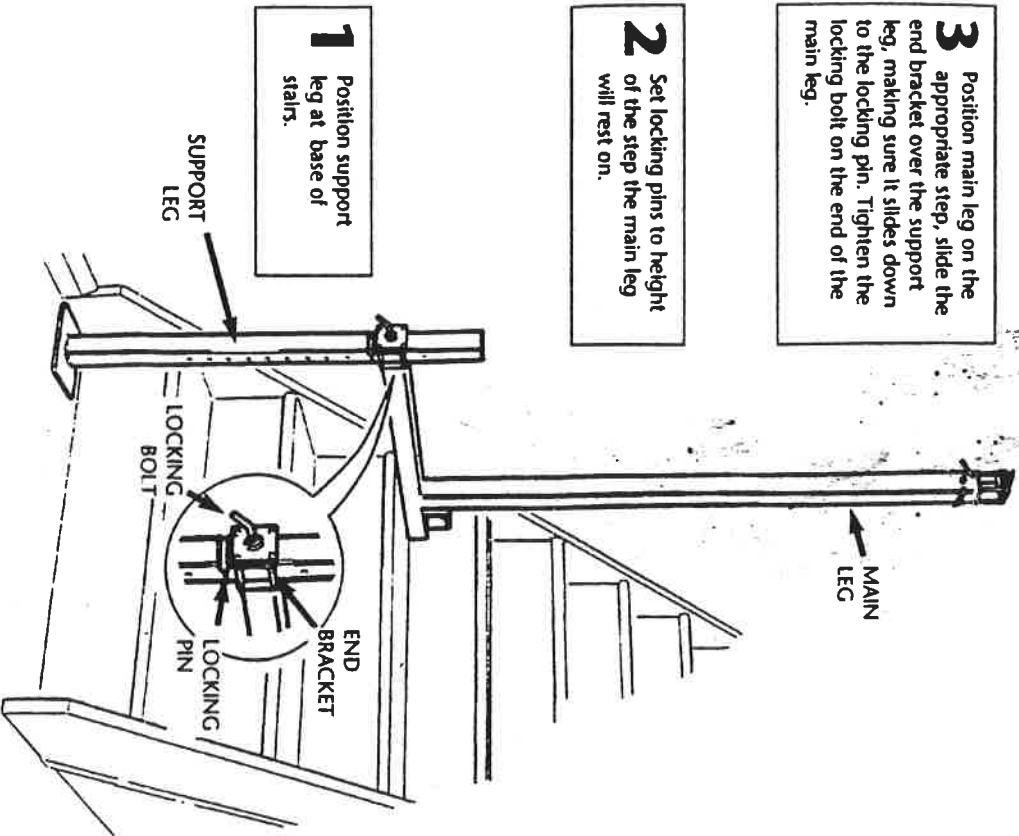
# LOBO STAIRMAN ASSEMBLY INSTRUCTIONS

*Read these instructions carefully before proceeding*

**3** Position main leg on the appropriate step, slide the end bracket over the support leg, making sure it slides down to the locking pin. Tighten the locking bolt on the end of the main leg.

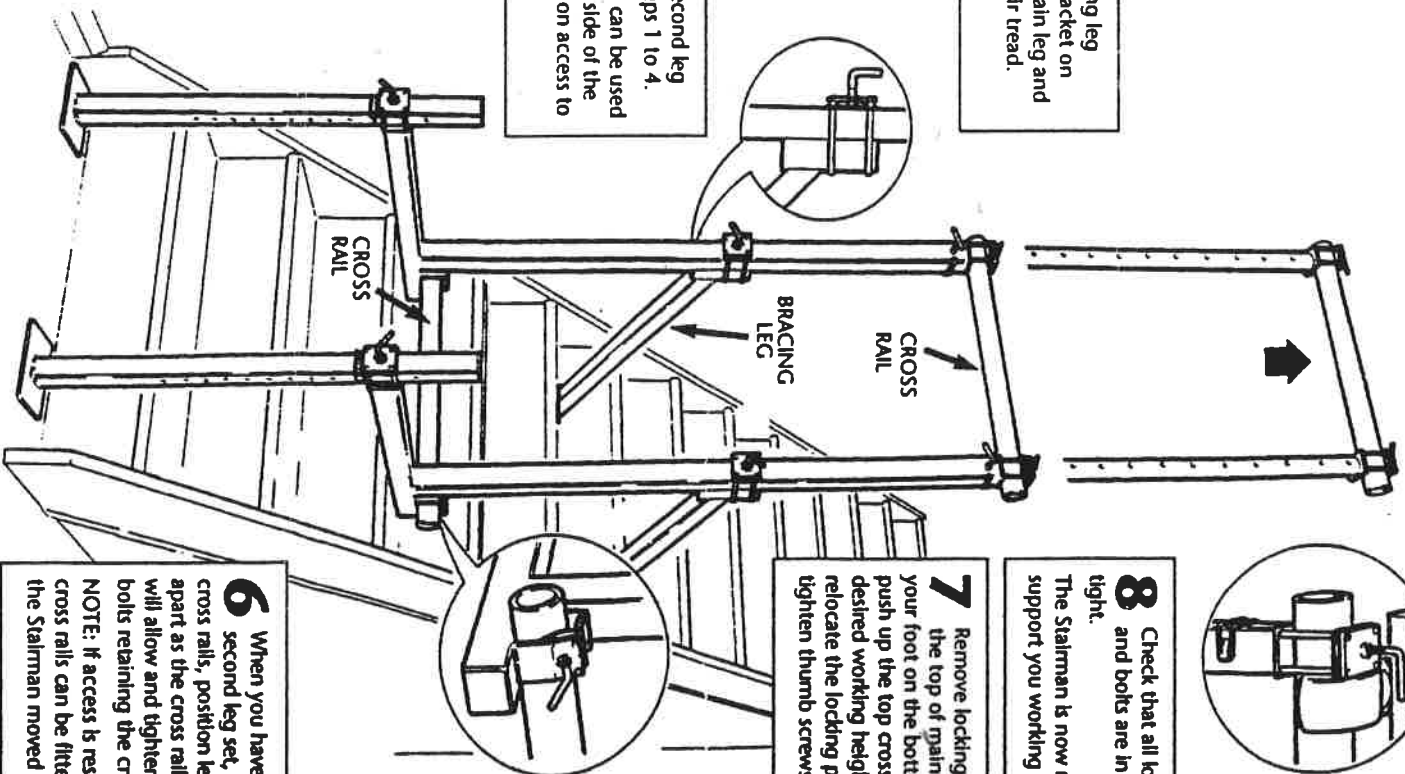
**2** Set locking pins to height of the step the main leg will rest on.

**1** Position support leg at base of stairs.



**4** Slide the bracing leg through the bracket on the upright of the main leg and rest firmly on the stair tread. Tighten locking bolt.

**5** To erect the second leg set - repeat steps 1 to 4.  
NOTE: Either leg set can be used as left or right hand side of the stairwell depending on access to locking bolts.



**8** Check that all locking pins and bolts are in position and tight.  
The Stairman is now ready to support your working platform.

**7** Remove locking pins from the top of main legs. Keeping your foot on the bottom cross rail, push up the top cross rail to the desired working height and relocate the locking pins and tighten thumb screws.

**6** When you have erected the second leg set, slide in the cross rails, position leg sets as wide apart as the cross rails and stairs will allow and tighten the locking bolts retaining the cross rails.  
NOTE: If access is restricted, the cross rails can be fitted and then the Stairman moved into position.

## SPECIAL NOTES:

SAFE WORKING LOAD 250 kg  
LOBO SYSTEMS HAND RAILS ARE AVAILABLE FOR WORKING ON STAIRS WITH OPEN BALUSTRADING



29 The Parker Centre  
Manfield Road  
Derby DE21 4SZ  
Tel: 0332 299069